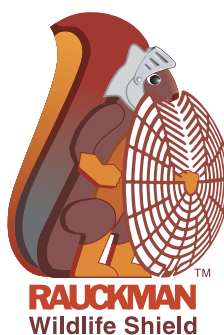


# RAUCKMAN™ Utility Products



## Rauckman Wildlife Shield™ Installation Guide



### **SAFETY WARNINGS**

1. The Wildlife Shield shall be installed by qualified utility company personnel trained in working with and handling high voltage electrical equipment.
2. The Wildlife Shield can be easily installed with or without de-energizing the equipment. However it is the responsibility of the installation person to conform to safety standards and guidelines, as provided by the applicable utility company, covering working with and around electrical and power equipment.
3. This document and instructions within are not intended to cover such electrical safety instructions.

**Scope:**

This document covers installation procedure for Rauckman Wildlife Shield Products.

**Tools Required:**

1. Gripall Clampstick (Shotgun Stick)
2. Lineman's Pliers

**Product Models Covered:**

<u>Model#</u>	<u>Description</u>
W-001S	16" Diameter, Gray
W-001SR	16" Diameter, Red
W-002	20" Diameter, Gray
W-002R	20" Diameter, Red
W-004	24" Diameter, Gray
W-004R	24" Diameter, Red

**Typical Wildlife Shield:**

Following (Figure 1) is picture of a typical shield with its features and parts flagged.

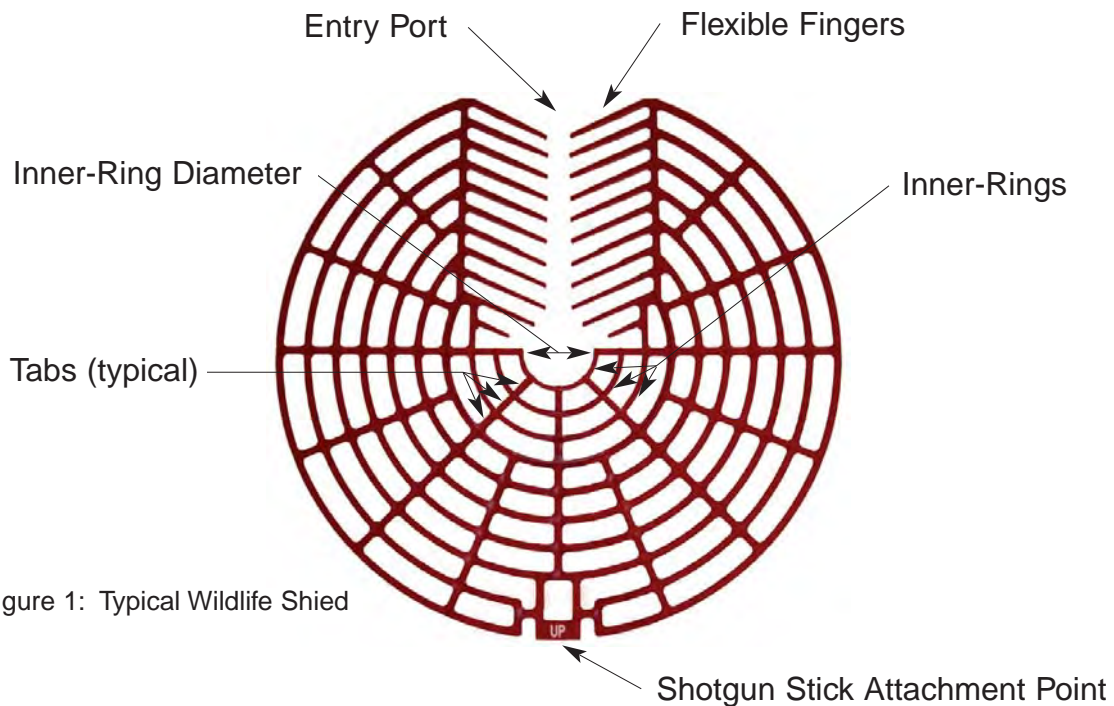


Figure 1: Typical Wildlife Shied

### Instruction Steps

#### Step 1 - Adjusting the Inner-Ring Diameter

If needed, the inner-ring diameter should be adjusted to fit the minor diameter of the insulator properly (see Figures 2 and 2A).

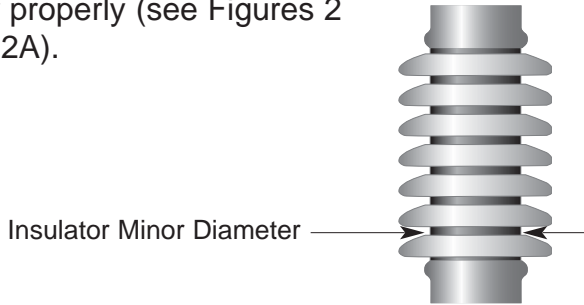


Figure 2A: Insulator Minor Diameter.



Figure 2: Improper Fit, Small Inner-Ring Diameter.



Figure 3: Adjusting Inner-Ring Diameter.

**1A.** This adjustment is made by using a pair of standard lineman's pliers to cut the innermost Tabs (see Figures 3 and 4). This removes one inside ring layer and increases the Inner-Ring Diameter.

**1B.** Repeat the process (step 1A.) until the Inner-Ring Diameter approximately matches the minor diameter of the insulator.

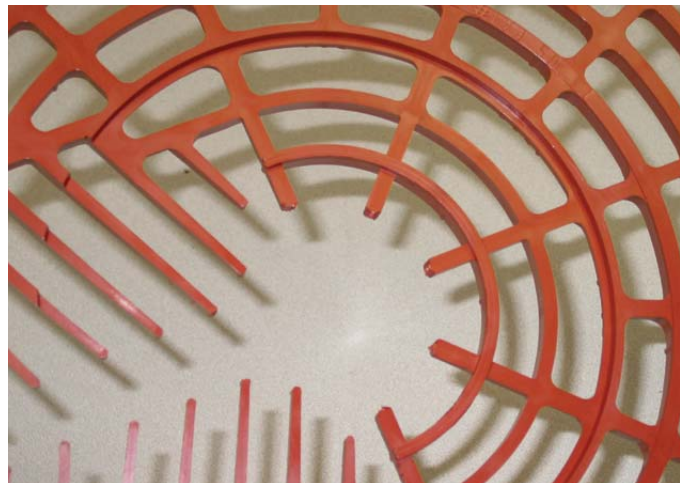


Figure 4: Adjusting Inner-Ring Diameter.



**1C.** It may be necessary to trim some of the interior flexible fingers for a proper fit. This can be done by using a pair of lineman's pliers (see Figure 5).



Figure 5: Trimming Flexible Fingers.

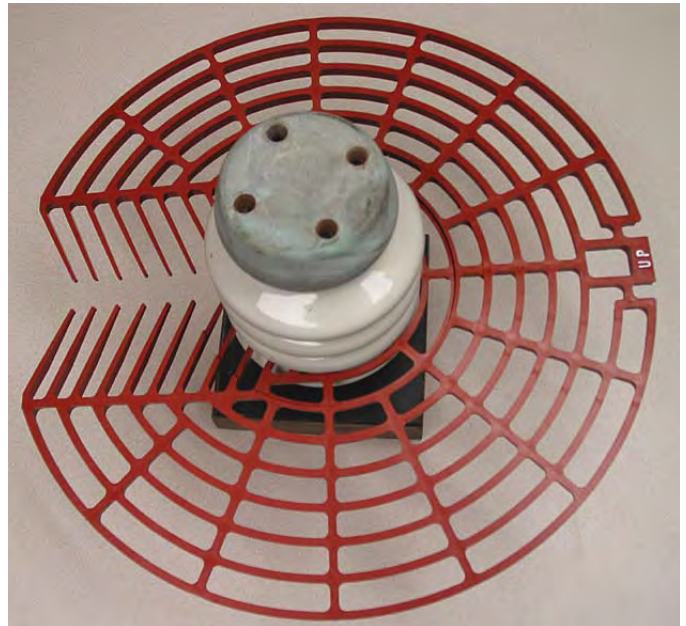


Figure 6: Proper Fit.

**Step 2 - Attach to a Shotgun Stick**

To install with a standard shotgun stick, place the shotgun stick attachment point provided on the Wildlife Shield, into the end of the barrel opening of the shotgun stick (Figures 7 and 8).

Use the appropriate attachment point based on vertical or horizontal installation of the Shield. All 16" and 24" diameter models are provided with both vertical and horizontal attachment points. All 20" diameter models are provided with vertical attachment points only.

Attach the Shield securely to the barrel with the shotgun stick gripping finger.



Figure 7: Vertical Attachment Point, all models



Figure 8: Horizontal Attachment Point, 16" & 24" models

**Step 3 - Install on Insulator**

**3A.** Install on Insulator by pushing the Wildlife Shield onto the insulator by means of the flexible finger entry port of the shield. Install with a **smooth, steady** push (Figure 9).



Figure 9: Install with Smooth & Steady Push

**3B.** Shields must be installed on the insulator skirt closest to the grounded support structure (see Figure 10).

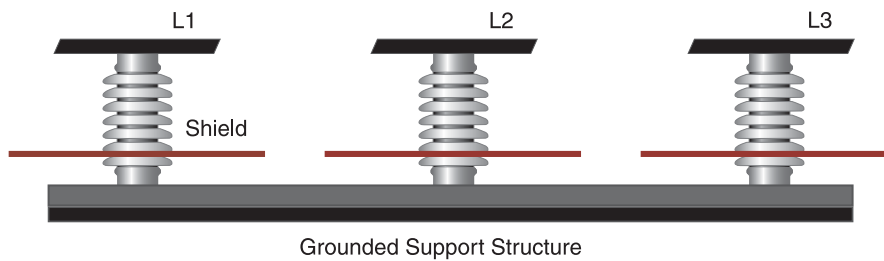


Figure 10: Install on the Grounded Structure Side of the Insulators.

**3C.** Proper spacing between the shields must be maintained. If adjacent insulators are close to each other (such as a hookstick switch's insulators), install the shields on the insulators as shown in Figure 11. Place one shield on the skirt closest to the grounded support structure and the second shield one skirt above the first.

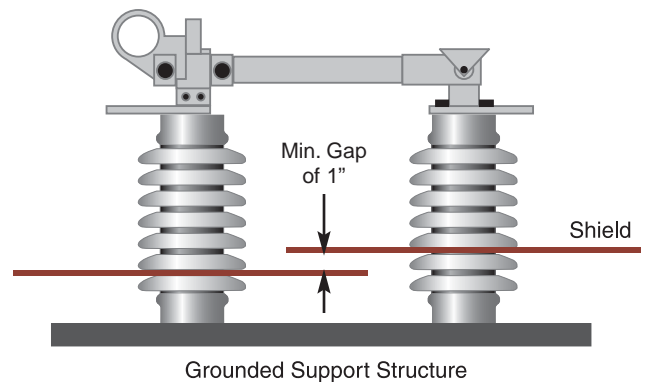


Figure 11: Maintain Proper Spacing.

**Step 4 - Removal of the Wildlife Shield**

If removal of the Wildlife Shield is necessary, pull the device off with a slow, steady pull. A removed Shield is not reusable since the flexible fingers are designed for one-way application. Breakage of the fingers upon removal is typical.