

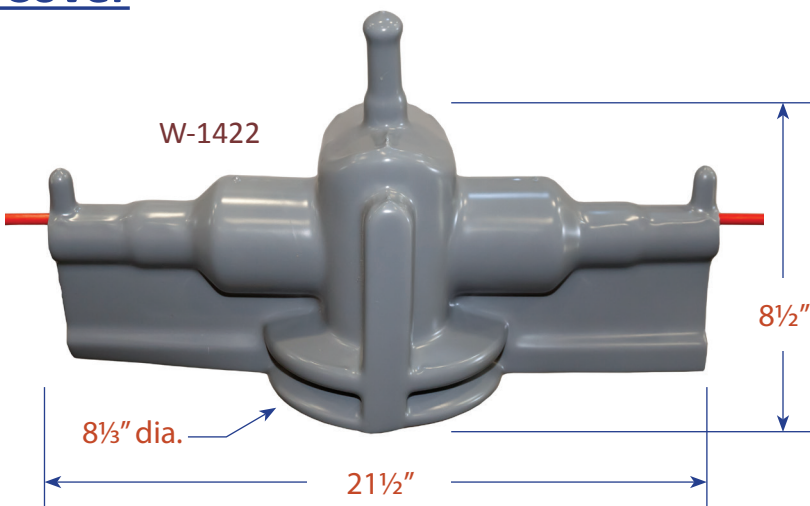
Cat. No. W-1422 Insulator Cover

FEATURES

- Aids in protecting against unintended Avian events.
- Provides quick and easy installation with interlocking posts using a grip-all clamp-stick (shotgun stick).
- No "add-on" hardware for mounting.

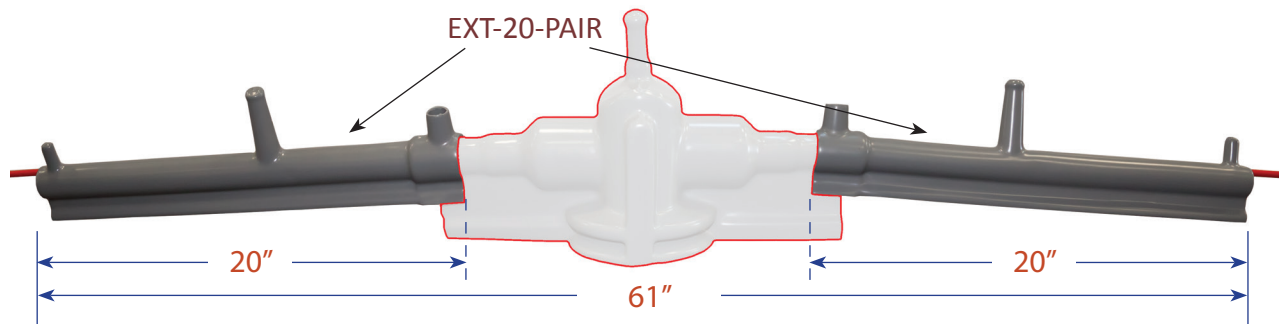
SPECIFICATIONS

- Material — RUP3800 Cross-linked High Dielectric Polymer
- Highly Hydrophobic
- Ultraviolet Stabilized Material
- Sky Grey Color
- Length of Coverage with EXT-20-PAIR Extensions — 61"



MADE IN THE USA

Cat. No. EXT-20-PAIR Insulator Cover Extender



FEATURES

- Designed to be used with W-1422 to extend its coverage to 61" (using two extenders)
- Provides quick and easy installation with interlocking posts using a grip-all clampstick (shotgun stick).
- No "add-on" hardware for mounting.

SPECIFICATIONS

- Material — RUP3800 Cross-linked High Dielectric Polymer
- Highly Hydrophobic
- Ultraviolet Stabilized Material
- Sky Grey Color

Cat. No.	Description	Color	Unit of Measure (UOM)	Weight / UOM
W-1422	Insulator Cover	Grey	Each	5 lbs.
EXT-20-PAIR	Insulator Cover Extender	Grey	Pair	3 lbs.