

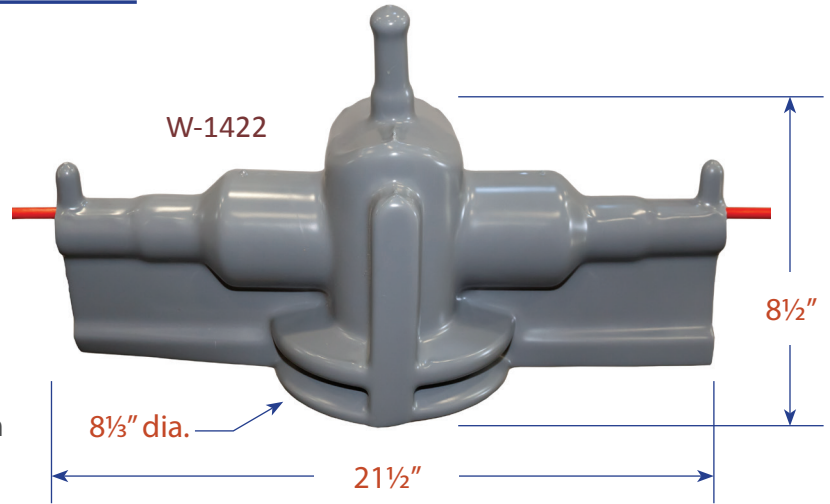
Cat. No. W-1422 Insulator Cover

FEATURES

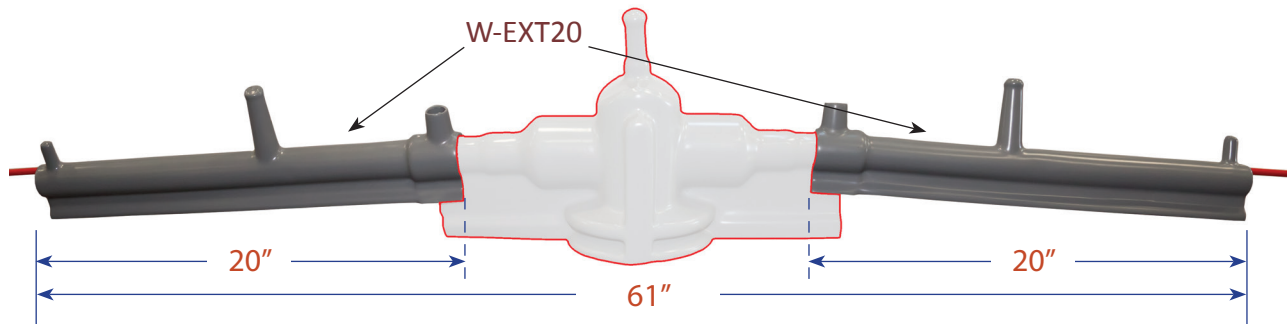
- Aids in protecting against unintended Avian events.
- Provides quick and easy installation with interlocking posts using a grip-all clampstick (shotgun stick).
- No “add-on” hardware for mounting.

SPECIFICATIONS

- Material — RUP3800 Cross-linked High Dielectric Polymer
- Highly Hydrophobic
- Ultraviolet Stabilized Material
- Sky Grey Color
- Length of Coverage with W-EXT20 Extensions — 61”



Cat. No. W-EXT20 Insulator Cover Extender



FEATURES

- Designed to be used with W-1422 to extend its coverage to 61” (using two extenders)
- Provides quick and easy installation with interlocking posts using a grip-all clampstick (shotgun stick).
- No “add-on” hardware for mounting.
- Sold in pairs

SPECIFICATIONS

- Material — RUP3800 Cross-linked High Dielectric Polymer
- Highly Hydrophobic
- Ultraviolet Stabilized Material
- Sky Grey Color

Cat. No.	Description	Color	Unit of Measure (UOM)	Weight / UOM
W-1422	Insulator Cover	Grey	Each	5 lbs.
W-EXT20	Insulator Cover Extender	Grey	Pair	3 lbs.